

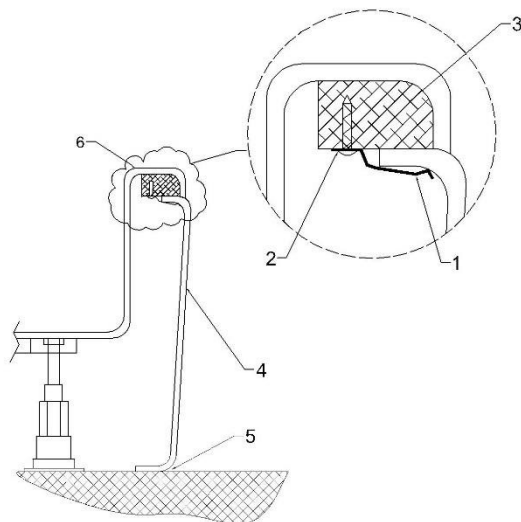
SHOWER BASE /BATHTUB ENCLOSURE ASSEMBLY

INSTRUCTIONS - OPTION A

A

We start installation of the panel after proper mounting of shower base /bathtub.
We fasten clips (1) with the use of bolts (2) to blocks (3) located under the shower base /bathtub rim. We slide the enclosure between the block and clip. It is recommended to finish the space between the enclosure and floor (5) with silicone.

SHOWER BASE	Fastening hook	Screw 3x13
Square shower base	6	12
Rectangular shower base 80 90 R55	3	6
Rectangular shower base 90 other models	4	8
Asymetrics shower base	4	8
BATHTUBS		
Rectangular bathtub	7	14
Rectangular bathtub: Elegance	9	18
Asymmetrical bathtub: Frida	5	10
Asymmetrical bathtub: Marika	6	12
Asymmetrical bathtub: Selena	8	16
Asymmetrical bathtub – other models	4	8
Symmetrical bathtub	7	14



1. fastening hook
2. screw
3. block
4. housing
5. place for silicone
6. edge

SHOWER BASE /BATHTUB ENCLOSURE ASSEMBLY

INSTRUCTIONS - OPTION B

B

We start installation of the panel after proper mounting of shower base /bathtub.
Into the clip holder (7) located under the shower base /bathtub rim, slide the clip and afterwards insert the enclosure. It is recommended to finish the space between the enclosure and floor (5) with silicone.

4. housing
5. place for silicone
6. edge
7. clip socket
8. clip

